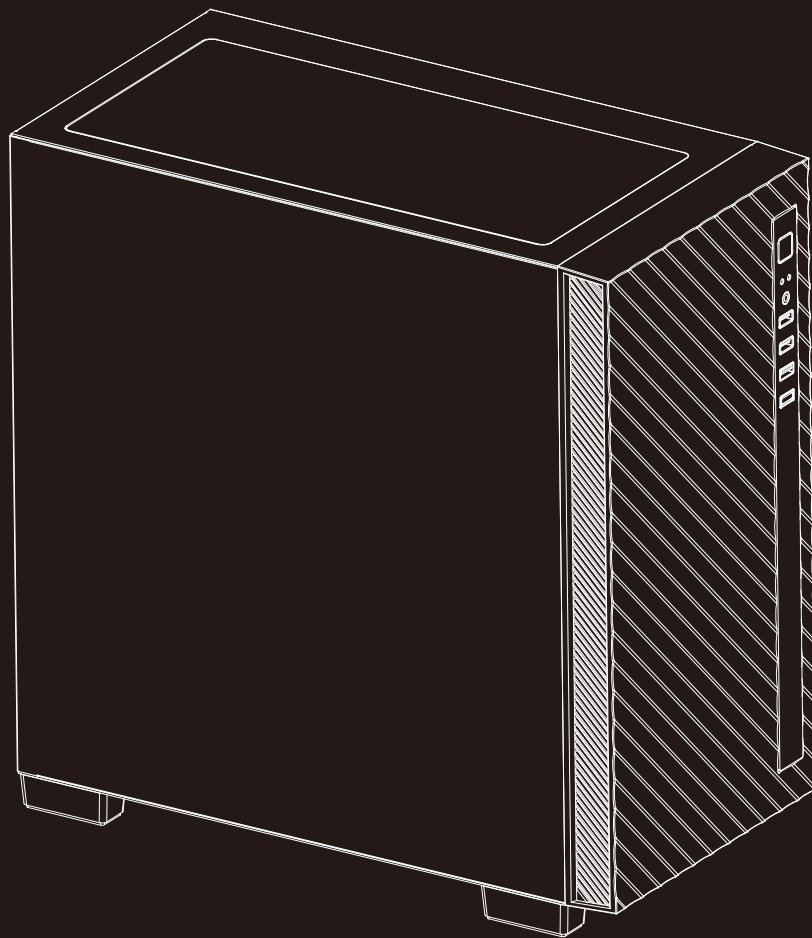


Rosewill[®]



FBM-X5

Quick User Guide



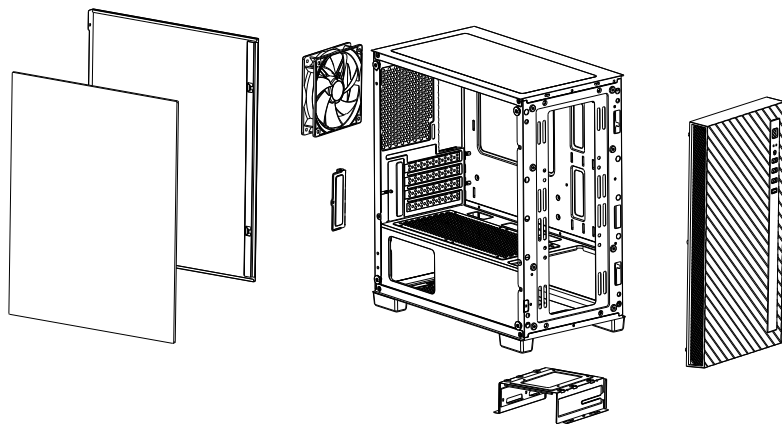
Table of Contents

- Product Overview
 - Disassembly Chart 2
 - Accessory Box 3
- Installation Guide
 - 1. Open the Unit 4
 - 2. Install Motherboard 5
 - 3. Install Add-on Card 5
 - 4. Install 3.5" /2.5" HDD/SSD 6
 - 5. Install Power Supply.....6
- Specifications Table 7
 - Front I/O Cable Pinout 8
 - Front I/O8

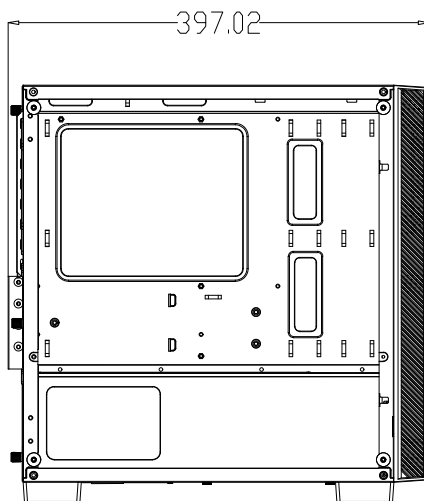
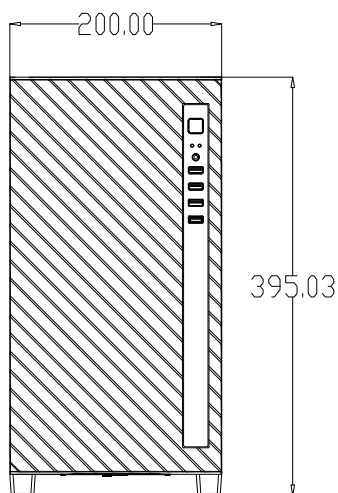
Thank you for purchasing a **Rosewill** Computer Case.
Please read the instruction manual before use and
retain for future reference.

Product Overview





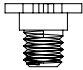

Disassembly Chart (components vary by country)



Dimensions: 200*397*395mm (W x D x H)



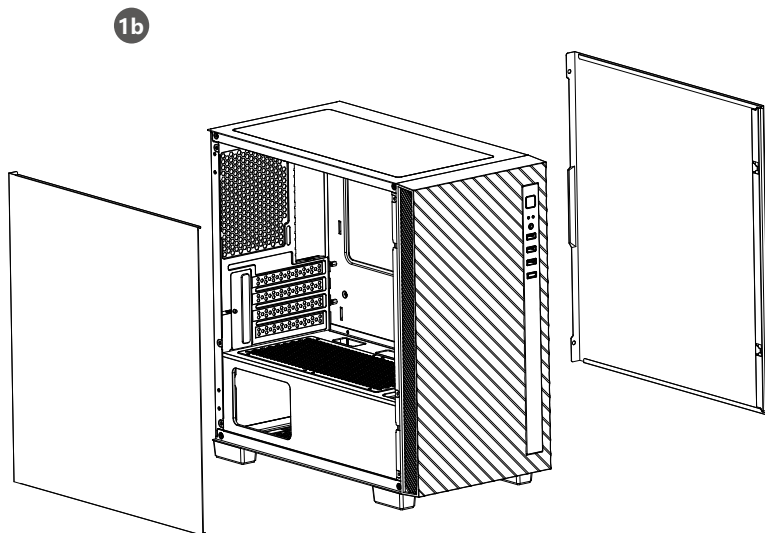
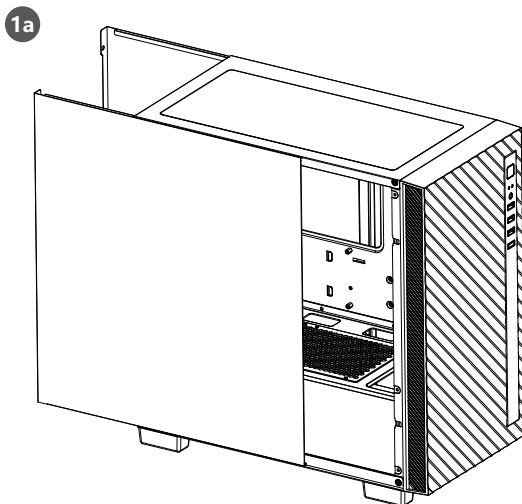
Accessory Box

Image	Part Name	Qty	Function/Component
	Screw-A (6-32 x 8.5 mm)	8	PSU Add-on Card
	Screw-B (M3 x 6.5 mm)	14	Motherboard 2.5" HDD/SSD
	Screw-C (6-32 x 7mm)	8	HDD
	Standoff	3	Motherboard
	Installation screws	2	HDD
	Name Plate	1	Logo

Installation Guide

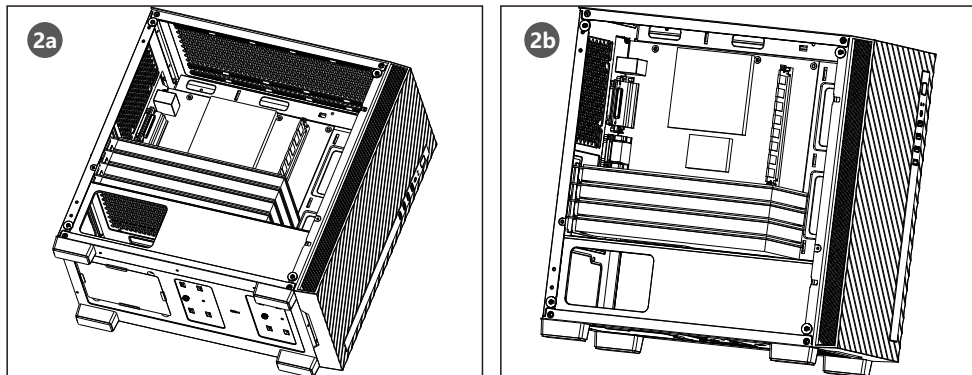
1. Open the Unit

1-1. Open and take off Left and right side panel(Figure 1).



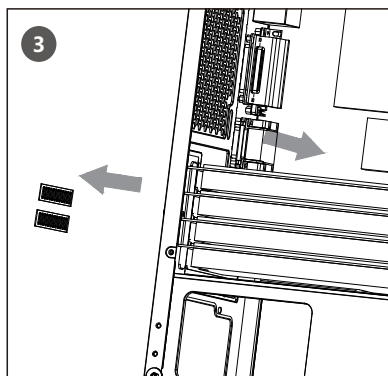
2. Install Motherboard

2-1. Secure the motherboard down with Screw-B(Figure 2)



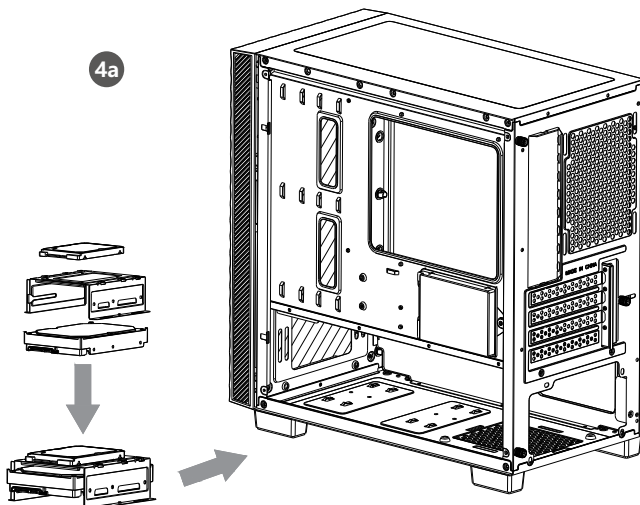
3. Install Add-on Card

3-1. Remove the slot cover, then install the GPU card and secure with Screw-A(Figure 3)



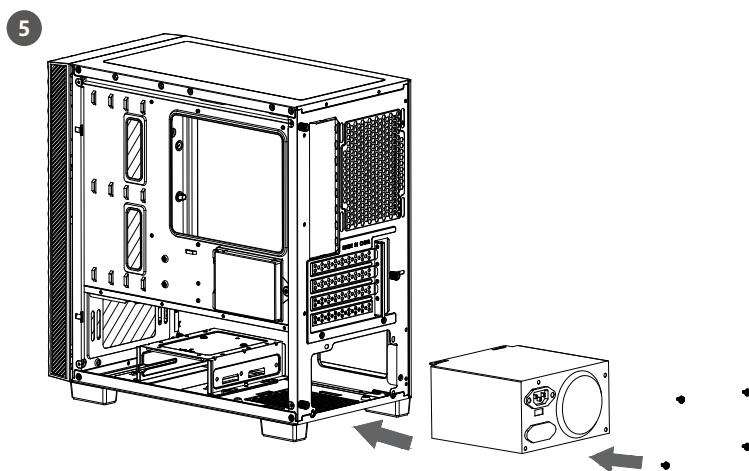
4. Install 3.5" /2.5" HDD/SSD

4-1.Take off the HDD trays, install SSD/HDD onto the tray with Screw B/Screw C.



5. Install Power Supply

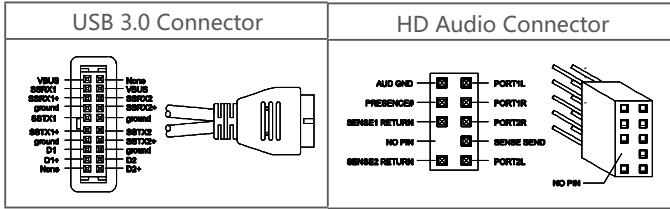
5-1: Seat the PSU set at the bottom-rear of the case and secure with Screw A.(Figure 5)



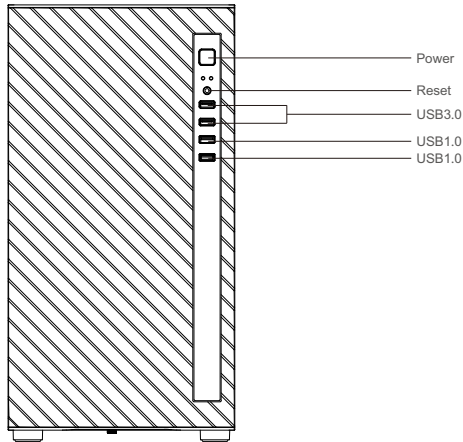
Specifications Table

Model	
Model Name	FBM-X5
Specifications	
Type	Mid Tower
Color	Black
Case Material	Steel / Plastic
With Power Supply	No
Motherboard Compatibility	Micro-ATX ITX
With Side Panel Window	No
Expansion	
Internal 3.5" Drive Bays	2
Internal 2.5" Drive Bays	1
Expansion Slots	4
I/O Ports	
Top Ports	2 x USB3.0 2 x USB1.0 HD Audio
Cooling System Options	
120 mm Fans	2 x Front 2 x Top 1 x Rear (Included) 2 x bottom

Front I/O Cable Pinout



Front I/O





Rosewill® Technical Support Information
techsupport@rosewill.com 1-800-575-9885

*Thank you for purchasing a quality Rosewill product.
Please register your product at www.rosewill.com
for complete warranty information and support for your product.*